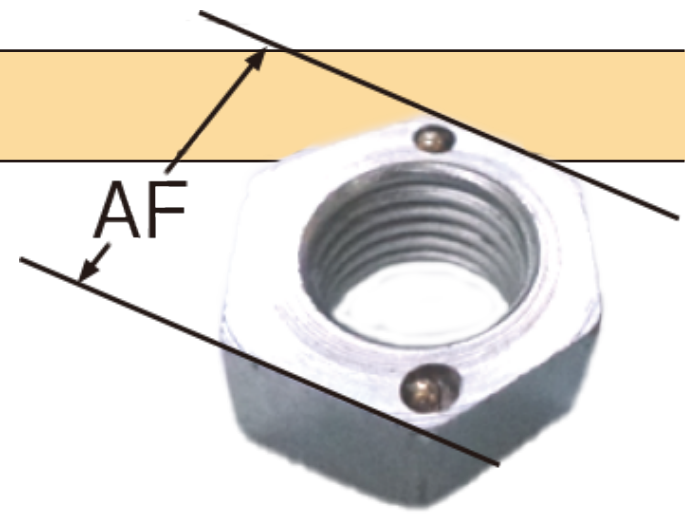


Bol'lock Nut

SCM435 + Electro zinc plating
metric coarse thread



(mm)

Catalogue No.	Thread-pitch	Thickness	AF	Ball dia.
BLN-M14	2	11	22	2.4
BLN-M16	2	13	24	2.4
BLN-M18	2.5	15	27	2.4
BLN-M20	2.5	16	30	3.2
BLN-M22	2.5	18	32	3.2
BLN-M24	3	19	36	4
BLN-M27	3	22	41	4
BLN-M30	3.5	24	46	4
BLN-M33	3.5	26	50	4
BLN-M36	4	29	55	4
BLN-M39	4	31	60	4
BLN-M42	4.5	32	65	4
BLN-M45	4.5	36	70	5
BLN-M48	5	38	75	5
BLN-M52	5	42	80	6
BLN-M56	5.5	45	85	6
BLN-M60	5.5	48	90	6
BLN-M64	6	51	95	6
BLN-M68	6	54	100	8
BLN-M72	6	58	105	8
BLN-M76	6	61	110	8
BLN-M80	6	64	115	8
BLN-M85	6	68	120	8
BLN-M90	6	72	130	8
BLN-M95	6	76	135	8
BLN-M100	6	80	145	10